

# TITAN

## LED DASH LIGHT



### FEATURES

- 4 High Intensity LEDs
- Built-in 19 Selectable Flash Patterns
- Super Compact for Stealth Look
- Lightweight for Easy Mounting
- With Side-by-Side Split Flashing
- Andgle Adjustable light output

### SPECIFICATIONS

**Compliance:** SAE, Title XIII, e13, E13

**LED Element:** 1W LED x 4

**Avg. Current:** 0.28A @12.8VDC ~ 0.14A @25.6VDC

**Avg. Power:** 4.5 Watts (varies with flash pattern)

**Max. Current:** 0.56A @12.8VDC ~ 0.28A @25.6VDC

**Max. Power:** 9 Watts

**Wires:** Cigar plug with 3 meter wire length

**Operating Temperature:** -40°C to +65°C

**LED Colour:** Amber, Blue, Red, White

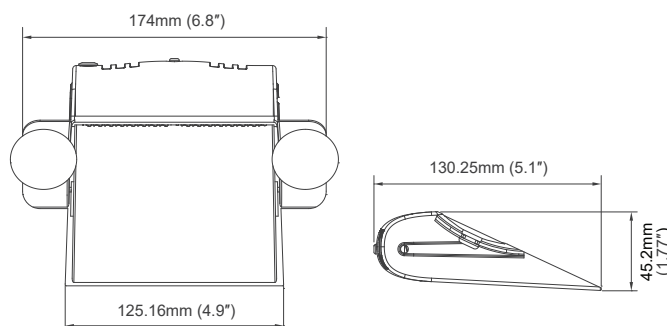
**Lens Colour:** Clear



For adjusting light output angle.

Push button for flash pattern change.

### DIMENSIONS



### FLASH PATTERN

Flash Pattern			
0	Random (default)	10	Double (all)
1	Single (split)	11	Quad (all)
2	Double (split)	12	Quint (all)
3	Quad (split)	13	Mega (all)
4	Quint (split)	14	Ultra (all)
5	Mega (split)	15	Single-Quad (all)
6	Ultra (split)	16	Single H/L (all)
7	Single-Quad (split)	17	Steady 2 (california)
8	Single H/L (split)	18	Steady 4 (all)
9	Single (all)		

\*SPLIT=side by side alternating \*ALL=all LEDs on

