

LP22 LED PAD

4-LED Ultra Low Profile Square Warning Lighthouse



FEATURES

- Ultra low profile 6.6mm lighthouse w/ SAE Class 1 approval.
- Square design allows versatile mounting & orientation.
- Approved ECE R10 EMC compliance.
- Self-adhesive backing for quick & easy installation.
- 12~24VDC multi-voltage Input.
- Self-contained; no external flasher required.
- Multi-unit synchronisation in simultaneous or alternating flash.
- Reverse polarity protection.
- Weatherproof and vibration resistant design for external use.
- Solid aluminium backing for efficient heat dissipation and maximum durability.

SPECIFICATIONS

Compliance: SAE J595 Class 1,
ECE R10,
CA13, IPX7

LED Elements: High-power LED x 4 pcs

No. of Warning Patterns: 18

Operating Voltage: 12~24VDC

Avg. Current: 0.23A @12VDC / 0.12A @24VDC
(varies with flash pattern)

Max. Current: 0.45 @12VDC / 0.23A @24VDC

Avg. Power: 2.7 Watts (varies with flash pattern)

Max. Power: 5.4 Watts

Wires: White - Warning Mode : 20cm (24AWG)
Black - GND : 20cm (24AWG)
Brown - Flash Patterns & Sync : 20cm (24AWG)

Fuse Rating: 1A

Synchronisation: up to 20 units

LED Colour: Amber, Blue, Red, Green, White

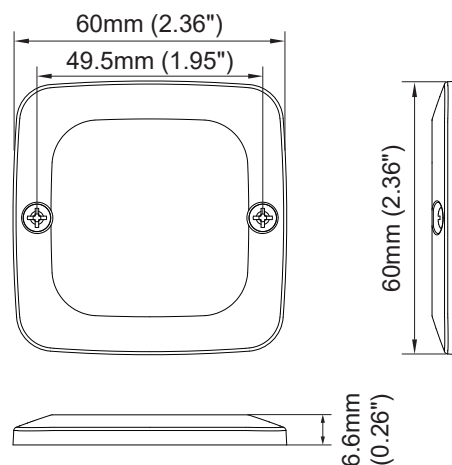
Lens Colour: Clear

Storage Temp.: -40°C to +75°C

Working Temp.: -30°C to +65°C

Warranty: 2 years

DIMENSIONS



FLASH PATTERN

FP#	Flash Pattern				
1	Single	[2Hz]	10	Quad	[SAE]
2	Double	[2Hz]	11	Quint	[SAE]
3	Triple	[2Hz]	12	Mega	
4	Quad	[2Hz]	13	Giga	
5	Random		14	Ultra	[SAE]
6	Steady / Cruise		15	Single-Quad	
7	Single	[SAE/CA13]	16	Single H/L	
8	Double	[SAE]	17	Single-Triple-Quint	
9	Triple	[SAE]	18	Steady EF*	

* For use with external flash controller.

PART NO.

- 02130279 (Amber)
- 02130286 (Blue)
- 02130293 (Red)
- 02130309 (White)