

Mini Stealth

3-LED LIGHTHEAD (Surface Mount)



MS3BS

FEATURES

- Super low profile for discreet mounting
- Multi-Voltage Input 12~24VDC
- Built-in 12 Selectable Flash Patterns
- LEDs rated to 100,000 hours of operation.
- Non-volatile memory recalls last flash pattern used at power up.
- Multiple units are synchronizable and can flash simultaneously or alternately.
- Reverse polarity protection.
- Weatherproof and vibration resistant design for internal or external use.
- Aluminum base for heat dissipation.

SPECIFICATIONS

Meets: SAE, CA13, e13

Bulb: 1W LED x 3pcs

Warning Patterns: 12 Flash Patterns

Operating Voltage: 12~24VDC

Avg. Current: 0.2A @12.8VDC / 0.11A @24VDC
(varies with flash pattern)

Avg. Power: 2.7 Watts (varies with flash pattern)

Max. Current: 0.4A @12.8VDC / 0.22A @24VDC

Max. Power: 5.5 Watts

Wires: Red-Vcc: 20cm (20AWG)

Black-GND: 20cm (20AWG)

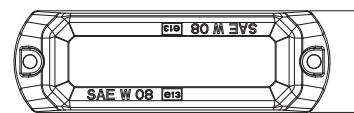
Yellow-Flash Patterns & Sync: 20cm (20AWG)

Fuse Recommend: 3A

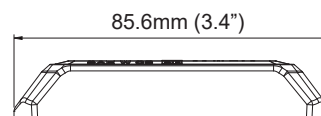
Multi-Unit Synchronization: Over 15

Available in: RED, BLUE, AMBER, WHITE

DIMENSIONS



27.7mm
(1.1")



85.6mm (3.4")



15.7mm
(0.6")

FLASH PATTERN

FP#	Flash Patterns		
0	Random	6	Quad
1	Steady	7	Quint
2	Single	8	Ultra
3	Mega	9	Single-Quad
4	Double	10	Single H/L
5	Triple	11	Single-Triple-Quint

Mini Stealth

3-LED LIGHTHEAD (Hood Mount)



MS3BH

FEATURES

- Super low profile for discreet mounting
- Multi-Voltage Input 12~24VDC
- Built-in 12 Selectable Flash Patterns
- LEDs rated to 100,000 hours of operation.
- Non-volatile memory recalls last flash pattern used at power up.
- Multiple units are synchronizable and can flash simultaneously or alternately.
- Reverse polarity protection.
- Weatherproof and vibration resistant design for external or internal use.
- Aluminum base for heat dissipation.

SPECIFICATIONS

Meets: SAE, CA13, e13

Bulb: 1W LED x 3pcs

Warning Patterns: 12 Flash Patterns

Operating Voltage: 12~24VDC

Avg. Current: 0.2A @12.8VDC / 0.11A @24VDC
(varies with flash pattern)

Avg. Power: 2.7 Watts (varies with flash pattern)

Max. Current: 0.4A @12.8VDC / 0.22A @24VDC

Max. Power: 5.5 Watts

Wires: Red-Vcc: 97cm (20AWG)

Black-GND: 97cm (20AWG)

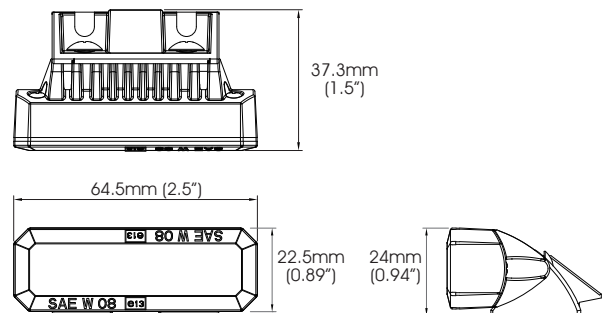
Yellow-Flash Patterns & Sync: 97cm (20AWG)

Fuse Recommend: 3A

Multi-Unit Synchronization: Over 15

Available in: RED, BLUE, AMBER, WHITE

DIMENSIONS



MOUNTING OPTIONS

- Adhesive Mount
- Screw Mount
- Bracket Mount

FLASH PATTERN

FP#	Flash Patterns		
0	Random	6	Quad
1	Steady	7	Quint
2	Single	8	Ultra
3	Mega	9	Single-Quad
4	Double	10	Single H/L
5	Triple	11	Single-Triple-Quint