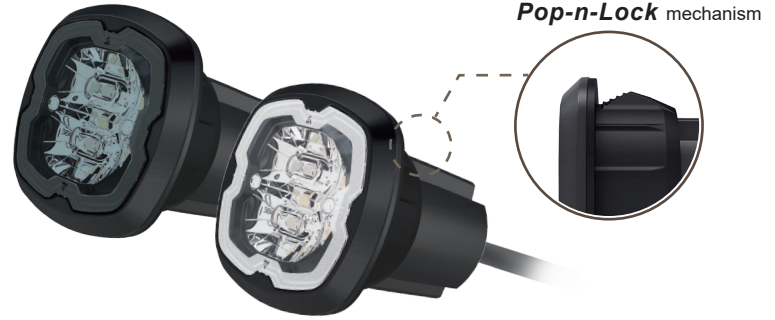


CRO6

6-LED All-In-One/ Self-contained Warning Lighthouse (Flush Mount)

CROWN



FEATURES

- ECE R65 Class 2 homologated output for ultimate safety.
- **NEW DESIGN!**
- **Pop-n-Lock:** Quick One-step Installation with unique snap-on grommet design.
- Smoked lens provide less conspicuous appearance and smooth aesthetic for modern vehicles.
- Alluminium housing for efficient heat dissipation with compact-size design.
- Featuring Independent Cruise Mode in calmly steady burn.
- ECE R10 EMC Compliance.
- All-in-one self-contained for easy and versatile installation without external flasher.
- Non-volatile memory recalling last flash pattern used at power-up.
- Multi-units synchronization in simultaneous or alternating flash.
- Reverse polarity protection.
- Weatherproof and vibration resistant design for external or internal use.

SPECIFICATIONS

Compliance: ECE R65 (XA2, XB2, XR2), Single Color/ Clear Lens;
ECE R65 (XA1, XB1), Single Color/ Smoked Lens;
ECE R10; CISPR 25
SAE J595 Class 1

IP Rating: IPX7

LED Elements: High Power LED x 6 pcs;

No. of Warning Patterns: 17

Operating Voltage: 12~24V

Avg. Current: 0.81A @12VDC / 0.41A @24VDC
(varies with flash pattern)

Avg. Power: 9.7 Watts (varies with flash pattern)

Max. Current: 1.62A @12VDC / 0.81A @24VDC

Max. Power: 19.4 Watts

Wires: Red-Vcc : 21cm (24AWG)
Black-GND : 21cm (24AWG)
White-Low Power Operation: 21cm (24AWG)
Green-Cruise Mode: 21cm (24AWG)
Yellow-Flash Patterns & Sync : 21cm (24AWG)

Fuse Recommended: 3A

Multi-Unit Synchronization: Up to 20 units

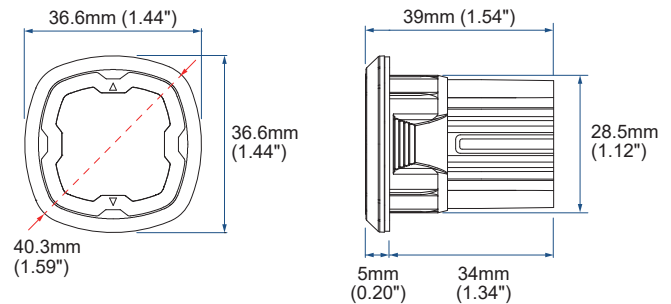
LED Color: Red, Blue, Amber or White

Lens Color: Clear, Smoked

Storage Temp.: -40°C to +75°C

Working Temp.: -30°C to +65°C

DIMENSIONS



Recommended Surface thickness @1.5~4.0mm

FLASH PATTERNS

Flash Patterns			
1	Double [R65]*	10	Quad [SAE]
2	Single [2Hz]	11	Quint [SAE]
3	Triple [2Hz]	12	Mega
4	Quad [2Hz]	13	Giga
5	Random	14	Ultra [SAE]
6	Steady EF**	15	Single-Quad
7	Single [SAE][CA13]	16	Singe H/L
8	Double [SAE]	17	Single-Triple-Quint
9	Triple [SAE]		

* Actual approval will be based on the model ordered.

** For use with external flasher controller.

PART NO.

Clear Lens

- **02060576** (Amber)
- **02060583** (Blue)
- **02060590** (Red)
- **02060613** (White)

Tinted Lens

- **02060637** (Amber)
- **02060644** (Blue)

OPTIONAL ACCESSORIES

02060620
(L-Bracket Mounting Kit)

