

# SW833

## Multi-purpose Switch / Controller w/ Power Module



### FEATURES

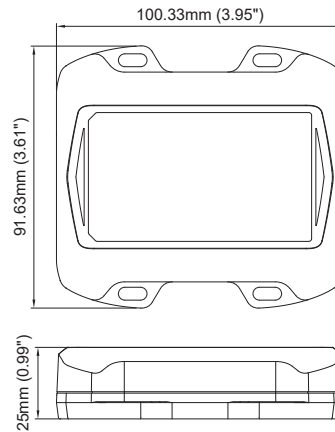
- Up to 49 Amp for warning lights, siren, work lights and auxiliary devices.
- 8-button control panel with two-color backlight, build-in Buzzer and 10 indicator LED for traffic arrow.
- 3 inputs for Siren Park Kill, external buttons, signal detection and ignition detection application.
- Programmable function for European Siren Interlock, Traffic Arrow or Scene buttons for quick activation.
- Entering Standby Mode automatically after the controller has been inactivated for 1 or 15 minutes.

### SPECIFICATIONS

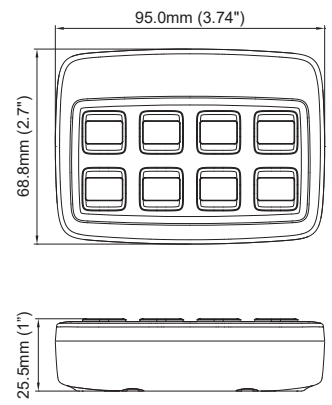
- Compliance:** ECE R10
- Operating Voltage:** 10~30VDC
- Input Current:** max 45A / standby current 35mA
- Output Voltage:** 10~30VDC
- Output Current:**  
 (Positive) 15A x 1 / 10A x 2 / 10A x 1 (for Output 4~8)  
 (Negative) 2A x 2
- Fuse Rating:** 50A
- Storage Temperature:** -40°C ~ 75°C
- Operating Temperature:** -40°C ~ 60°C
- Cable Length:** 6-pin wire harness, 30cm  
 RJ45 Cable, 400cm

### DIMENSIONS

Power Module



Controller



### PART NO.

- A003-510F0-000 (8-button Controller, Suction Cup Bracket)
- A003-510F1-000 (8-button Controller, Screw Mount Bracket)
- A003-511F0-000 (8-button Controller, Suction Cup Bracket, ECE R10)
- A003-511F1-000 (8-button Controller, Screw Mount Bracket, ECE R10)

### DECALS

