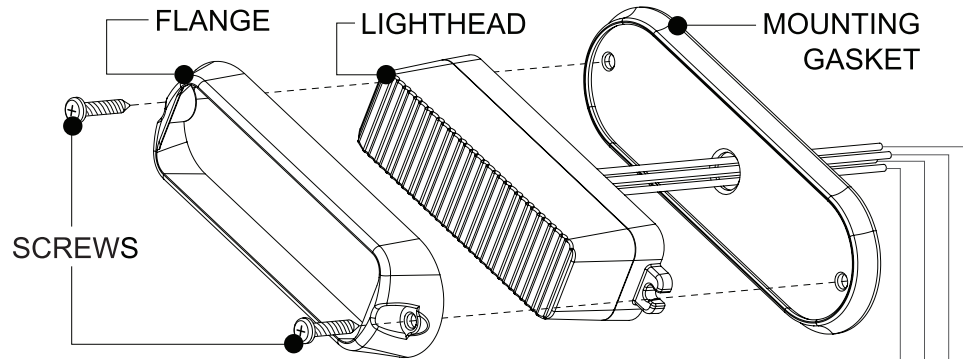


3-LED LIGHTHEAD



To +VDC (fuse @ 3A) ----- **RED**

To Chassis Ground ----- **BLACK**

For Simultaneous or Alternating Flash ----- **WHITE**

Group1 Heads: (Wiring- WHITE connected to RED) will flash together
 Group2 Heads: (Wiring- WHITE not connected to RED) will flash together
 Group1 Heads will alternate with Group2 Heads

For Synchronization & Flash Patterns ----- **YELLOW**

Connect YELLOW wires of all heads together for synchronization

FLASH PATTERN

- 0 Random (all)
- 1 Steady
- 2 Single
- 3 Mega
- 4 Double
- 5 Triple
- 6 Quad
- 7 Quint
- 8 8 Flash
- 9 Single-Quad
- 10 Single H/L
- 11 Single-Triple-Quint

To select Flash Pattern,
 apply +VDC to YELLOW wire:

- for less than 1 second for next pattern
- for more than 1 second for previous pattern
- for more than 5 seconds for reset to default